



MORALT
the core of the door

LAMINESSE SmartCore

HIGH ACOUSTIC FIRE-RATED DOOR CORES.



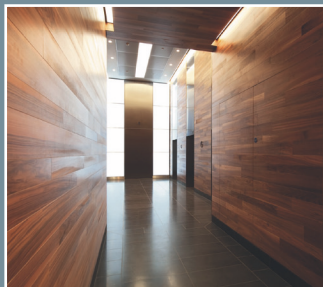
FD 60
dB 40



Fire
protection



Acoustic
insulation



Reliable and safe door solutions
www.moralt-ag.com

The technically sophisticated solution with maximum freedom in design. Using Moralt's LAMINESSE SmartCore door blank, fire-protection doors with acoustic insulation can be produced by any door manufacturer, who has successfully completed appropriate trainings, and can proof certification and factory audits according to the respective national building codes. These doors ideally complement our innovative system for fire protection doors by offering a widely demanded combination of fire protection and sound insulation. Add value to your workshop; use Moralt's range of expertise to accomplish your customers' and architects' individual wishes and ideas regarding doors.

An extensive technical review program package for an impressive performance.

After comprehensive test programs, Moralt offers an impressive range of service. Moralt's LAMINESSE SmartCore-sandwich panels are available in multiple formats, standard sizes as well as individual sizes. They provide you with all pre-conditions to produce functional doors of excellent quality with highest flexibility and a great diversity in shape and style. Well-known co-operation partners offer a selection of best accessories. Benefit from a high-quality systematic application solution to realize an efficient and design-oriented implementation on a high technical level.

New business in new markets. The renovation of old buildings and façades is a vigorously expanding business. Fire and smoke protection as well as acoustic insulation are challenging functionalities which are to be implemented into the constructional situation - not only with regard to individual dimensions but also with respect to the increasing security requirements for life and limb. Benefit from our know-how to offer sustainable and smart solutions.

Do you already know our Moralt LAMINESSE FireSmoke? The door blank solution for individual doors with fire and smoke protection.

Timber distributor

PRODUCT RANGE

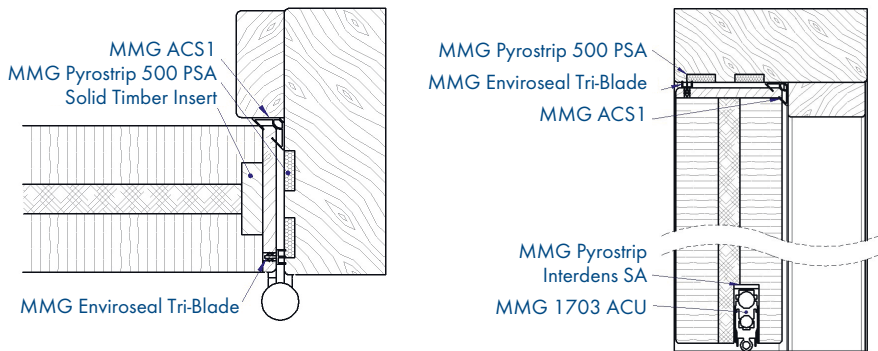
MORALT LAMINESSE SMARTCORE	
Length x Width in mm	Thickness in mm
Chip-faced	55
2,400 x 1,000	●
2,200 x 915	●
	■

■ Delivery time and minimum order quantity on request
Further formats available on request, subject to national approval/FoA.

TECHNICAL PRODUCT INFORMATION	
Thickness in mm	55
U-value door blank W/m ² K	1,70
Sound dB (RwP)	40
Weight of door leaf in Kg/m ²	40

PROCESSING
Moralt LAMINESSE SmartCore consists of a sandwich panel with compressible sound insulations. Please kindly consider our processing information.

Tested design recommendation



Audit certificates regarding fire resistance duration

DMT
Ein Unternehmen der TÜV NORD GROUP
Leadschmiedestraße 1
42699 Solingen
www.dmt.de

Test report
DMT-DO-50-1012

Document no.: DMT-DO-60-1012
Case worker: Wolbach
Order no.: 81942564
Customer: Moralt AG, Obere Tiefenbachstr. 1, 83734 Hausham, Germany
Content of order: Test of two single-leaved wooden composite door in wooden block frame with a thickness of 55 mm, with designation Moralt LAMINESSE SmartCore 55 (doorset B) and Moralt LAMINESSE SmartCore 55 (doorset C) with an open clearance (W x H) of 975 mm x 2,050 mm, embedded to a standard supporting construction with low density rigid with a thickness of 175 mm, for fire resistance
Test method: BS 476-22:1987 in conjunction with BS 476-22:1987
Fire exposed side: Door 1: Opening side / hinges side
Door 2: Closing side / non-hinges side

Test results	Result	Requirement
Door 1	65 min	60 min
Door 2	62 min	60 min

Date of order: 16.07.2021 | Test specimen receipt: 19.08.2021 | Date of test: 03.09.2021 | Date of report: 02.12.2021 | Period of validity: unlimited

Notified Body MB 2002

Evidence of performance
Airborne sound insulation of building components

ift
ROSENHEIM

Test Report
N° 28-005184-PR01
(PB 2-002-04-en-01)

Client: MORALT AG
Obere Tiefenbachstr. 1
83734 Hausham
Germany

Product: Single and double leaf internal door
Designation: LAMINESSE SmartCore 55

Overall dimensions: single leaf 1,200 mm x 2,050 mm, double leaf 2,350 mm x 2,050 mm
Type: Flush door of timber and timber based materials
Door frame: Wood block frame, single rebate
1 frame rebate seal, 1 casement seal,
1 seal of meeting stile (for double-leaf door),
1 lowerable floor seal
Seal System: Single and double leaf door variants without and with vision panel, measurements with rebate joint sealed on both sides

Weighted sound reduction index R_w, Spectrum adaptation terms C and C₂
R_w (C, C₂) according to Table 1 to Table 2

if Rosenheim
05.07.2021

Dr. Joachim Heusinger, Dipl.-Ing. (FH)
Head of Testing Department
Building Acoustics

Bernad Sif, Dipl.-Ing. (FH)
Operating Testing Chief
Division for Testing

Notar: J. Kemper, Bernd Sif

For further information please have a look at our current global assessments.

Further dimensions, sizes and facings on request.

Any Questions? Info-Hotline: +49 8026 92538-11 www.moralt-ag.com
Moralt AG, Obere Tiefenbachstraße 1, 83734 Hausham, Germany, Phone: +49 8026 92538-0, Fax: +49 8026 92538-40, E-Mail: info@moralt-ag.de

This information is according to the present state of knowledge and does not represent an assurance of properties. Existing laws and regulations are to be followed by the recipient of our products at his own responsibility. All information refers solely to products by Moralt AG.